

PRODUCT: BEL KENSINGTON 90DF
 COLOUR: GBLK/CHR
 CODE: **444447034**
 ISSUE: 1
 DATE: 25/04/2006



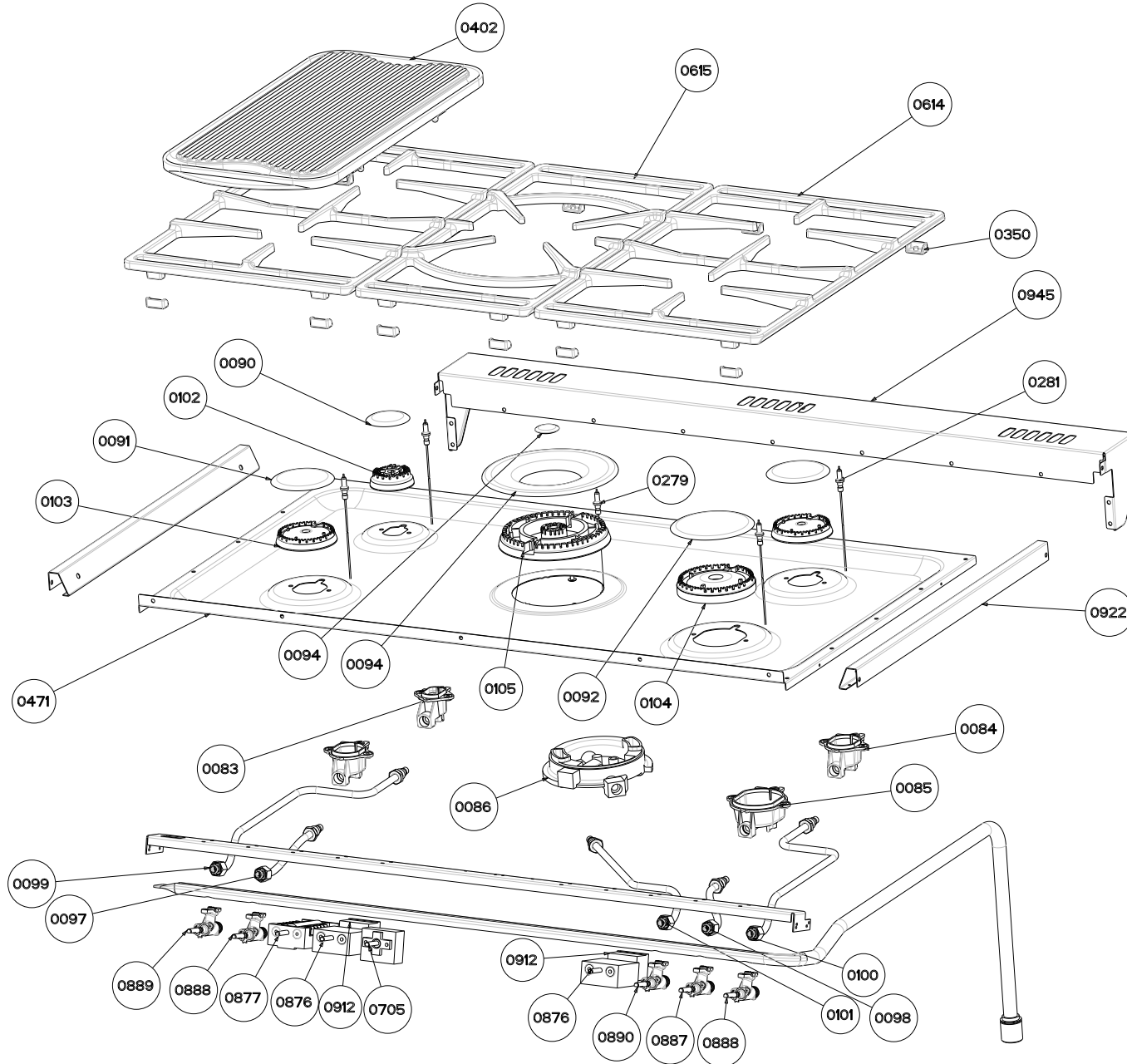
Key	Product	Product Description	TCO	Replace	Date	Qty
0026	082060800	BEARING door KB				2
0026	082060800	BEARING door KB				2
0032	082566100	BEZEL switch Blk				1
0037	082851704	BEZEL grill Sta				1
0037	082851703	BEZEL mf switch Sta				1
0037	082851702	BEZEL tstat elec fanned Sta				1
0037	082851701	BEZEL tstat elec mf Sta				1
0037	082851700	BEZEL h/p Sta				5
0042	281114900	BOX junction hylec PA223/3S				1
0046	502815400	BRACKET plinth fixing				2
0051	502057901	BRACKET stability cavity				1
0573	082859400	MAGNET				2
0061	080214900	BUFFER clear grill door soft				2
0062	081557600	BUFFER door hard 4000				2
0083	082519300	BURNERBOWL aux (0.77) Defendi				1
0084	082519400	BURNERBOWL semi (1.04) Defendi				2
0085	082519500	BURNERBOWL rapid (1.29)Defendi				1
0086	082546704	BURNERBOWL wok ng (63/121 inj)				1
0090	082519700	BURNERCAP aux nf gls Defendi				1
0091	082519703	BURNERCAP semi nf gls Defendi				2
0092	082519706	BURNERCAP rapid nf gls Defendi				1
0094	082546900	BURNERCAP wok inner-gloss				1
0094	082547000	BURNERCAP wok outer-gloss				1
0097	082852101	BURNERTUBE lh front 900				1
0098	082852103	BURNERTUBE rh front 900				1
0099	082852100	BURNERTUBE lh rear 900				1
0100	082852104	BURNERTUBE rh rear 900				1
0101	082852102	BURNERTUBE wok 900				1
0102	082519600	BURNERSKIRT aux nf Defendi				1
0103	082519602	BURNERSKIRT semi nf Defendi				2
0104	082519604	BURNERSKIRT rapid nf Defendi				1
0105	082546800	BURNERSKIRT wok				1
0113	081718425	BUTTON timer Blk				3
0114	082566200	BUTTON switch Nic				1
0147	082533800	CATCH roller (nylon)				1
0159	502818700	RETAINER channel inner glass				2
0178	082520000	CLIP spring Defendi				5
0180	080181345	CLIP phial/probe				2
0180	080181345	CLIP phial/probe				2
0182	082101600	CLIP tubular				4
0182	082101600	CLIP tubular				4
0182	082101600	CLIP tubular				4
0207	562801909	COVER plinth outer bel 900 Blk				1
0207	562802007	COVER plinth inner bel 900 Blk				1
0209	602129307	COVER grill element (pristine)				1
0210	601588723	COVER oven fan mottle				1
0210	601588723	COVER oven fan mottle				1
0211	502291500	COVER flue vent				1

0211	502291500	COVER flue vent				1
0248	562859012	DOOR oven outer lh GBlk				1
0248	562859103	DOOR oven outer rh GBlk				1
0252	562858906	DOOR panel top ov/sl cook GBlk				1
0253	601823318	DOOR panel top oven inner 500				1
0279	082547100	ELECTRODE wok 900mm long lead				1
0281	082532602	ELECTRODE 1300mm 50418				4
0286	082230600	ELEMENT base KB				1
0287	081561402	ELEMENT grill KB				1
0294	081561600	ELEMENT oven fan (2.5kw) KB				1
0294	081561600	ELEMENT oven fan (2.5kw) KB				1
0295	082010701	ELEMENT oven top KB				1
0314	082233400	FAN cooling DP203A-2123LST-C31				1
0315	081581800	FAN oven circulation	21/03/06			1
0315	082868400	FAN oven circulation				1
0315	081581800	FAN oven circulation	21/03/06			1
0315	082868400	FAN oven circulation				1
0319	012848618	FACIA assy 900df Blk/Whi				1
0349	081830501	FOOT levelling long				3
0358	602577601	FRONTFRAME nw spirit 80df				1
0358	602856800	FRONTFRAME (pristine)				1
0388	082825100	GENERATOR ignition GMF5				1
0391	082852700	GLASS oven door (clear)				1
0402	082554901	GRIDDLE ribbed universal				1
0411	082517700	GRILL PAN (vit enamel) Blk				1
0411	082517700	GRILL PAN (vit enamel) Blk				1
0412	082469100	GRIP handle grill pan				1
0417	081367370	GROMMET h/r rb 64 santoprene				1
0417	081367370	GROMMET h/r rb 64 santoprene				1
0418	082340500	GUARD fan REF FG12				1
0418	502858700	GUARD wiring				1
0419	082858100	GUIDE oven shelf (25 position)				2
0422	082512200	GUIDE oven shelf (15 position)				2
0422	082512202	GUIDE oven shelf (5 position)				2
0424	082718902	HANDBOOK Belling DF ranges	####			1
0424	082719000	HANDBOOK belling df ranges				1
0427	082283705	HANDLE grill pan				1
0428	082851800	HANDLE assy door Chr				1
0428	082851800	HANDLE assy door Chr				1
0428	082851800	HANDLE assy door Chr				1
0436	082462304	HARNESS dr c/out switch 204415				1
0455	082560800	HINGE tov/grill NS P3036CO				2
0458	082856400	HINGE bottom				1
0458	082856400	HINGE bottom				1
0459	082856401	HINGE top				1
0459	082856401	HINGE top				1
0471	502582515	HOTPLATE 900 Sta				1
5044	082606772	BELLING BADGE BBELLING013				1
0508	082553705	INSULATION top oven back				1
0508	082833100	INSULATION strip narrow				2
0510	082455602	INSULATION MAIN OVEN WRAP 900s				1
0510	082455600	INSULATION main oven wrap elec				1
0511	082455601	INSULATION top oven elec				1
0512	082869200	INSULATION tall oven door				1
0517	082553709	INSULATION main oven back 500				1

0517	082292813	INSULATION MAIN OVEN BACK 900s				1
0522	012860200	KIT range lp conversion				1
0525	082830202	KNOB belling range Blk				9
0544	926016900	LAMP assy oven				1
0544	926016900	LAMP assy oven				1
0557	082044000	LOCKNUT foot				3
0575	082048600	NEON oven 1221.113.501.09				2
0576	082858200	MOULDING grill door switch				1
0576	082858300	COVER fan leads (moulded)				1
0580	082862100	NUT captive(High temp)CAN 163				12
0580	082861000	LUG NUT				2
0580	082861000	LUG NUT				2
0585	561776724	OUTERSIDE lh 1000G Blk				2
0588	612857100	OVEN cavity assy (pristine)				1
0589	612873400	OVEN cavity assy (pristine)				1
0591	612873200	OVEN cavity tov/gr (pristine)				1
0599	502857400	PANEL rear service				1
0599	012857300	DOOR assy inner panel				1
0599	012561004	DOOR assy inner panel lh				1
0599	502848003	PANEL inner facia 900df				1
0604	502830315	PANEL rear service 900/1000DF				1
0609	501813010	PANEL rear inner sc 900range				1
0614	082843602	PAN SUPPORT Bel 2 burner 90				2
0615	082843601	PAN SUPPORT Bel wok				1
0637	082554400	VENT TUBE				1
0637	082554400	VENT TUBE				1
0670	082548401	PLATE cover wok burner bowl				1
0685	081117900	PLATE tapping				2
0685	081117900	PLATE tapping				2
0685	081117900	PLATE tapping				2
0695	562857200	PLINTH 900 Blk				1
0705	082590900	REGULATOR energy MPA-V02SV				1
0713	502425101	RETAINER insulation main oven				1
0713	502384900	RETAINER insulation top oven				1
0716	082065700	ROD pushrod 040 KB				2
0728	080180668	SCREW m4x23mm c/sk p/dr mch				2
0728	080180676	SCREW m6x30 pp mc				2
0728	080215764	WASHER fibre 11/64" dia				2
0728	080180676	SCREW m6x30 pp mc				2
0728	080180676	SCREW m6x30 pp mc				4
0733	081797201	SEAL grill KB				1.2
0734	082501400	SEAL oven 50m roll				1.4
0734	082501400	SEAL oven 50m roll				1.8
0736	081423974	SEAL tap 4mm COPRECI F3862-04				5
0749	082858000	SHELF main oven 332mm wide				4
0749	082512301	SHELF main oven 402wide				1
0749	082512301	SHELF main oven 402wide				2
0754	502398800	SHIELD wiring				1
0770	532254673	SIDEFAME assy rh 500/550tc				1
0783	082489700	SLEEVE neon lead 104397				1
0790	082859600	SPACER cavity				2
0791	082554300	SPACER oven fan				3
0791	082554300	SPACER oven fan				3
0791	082554300	SPACER oven fan				2
0806	081511001	SPRING COMPRESSION CONTROL BZ				9

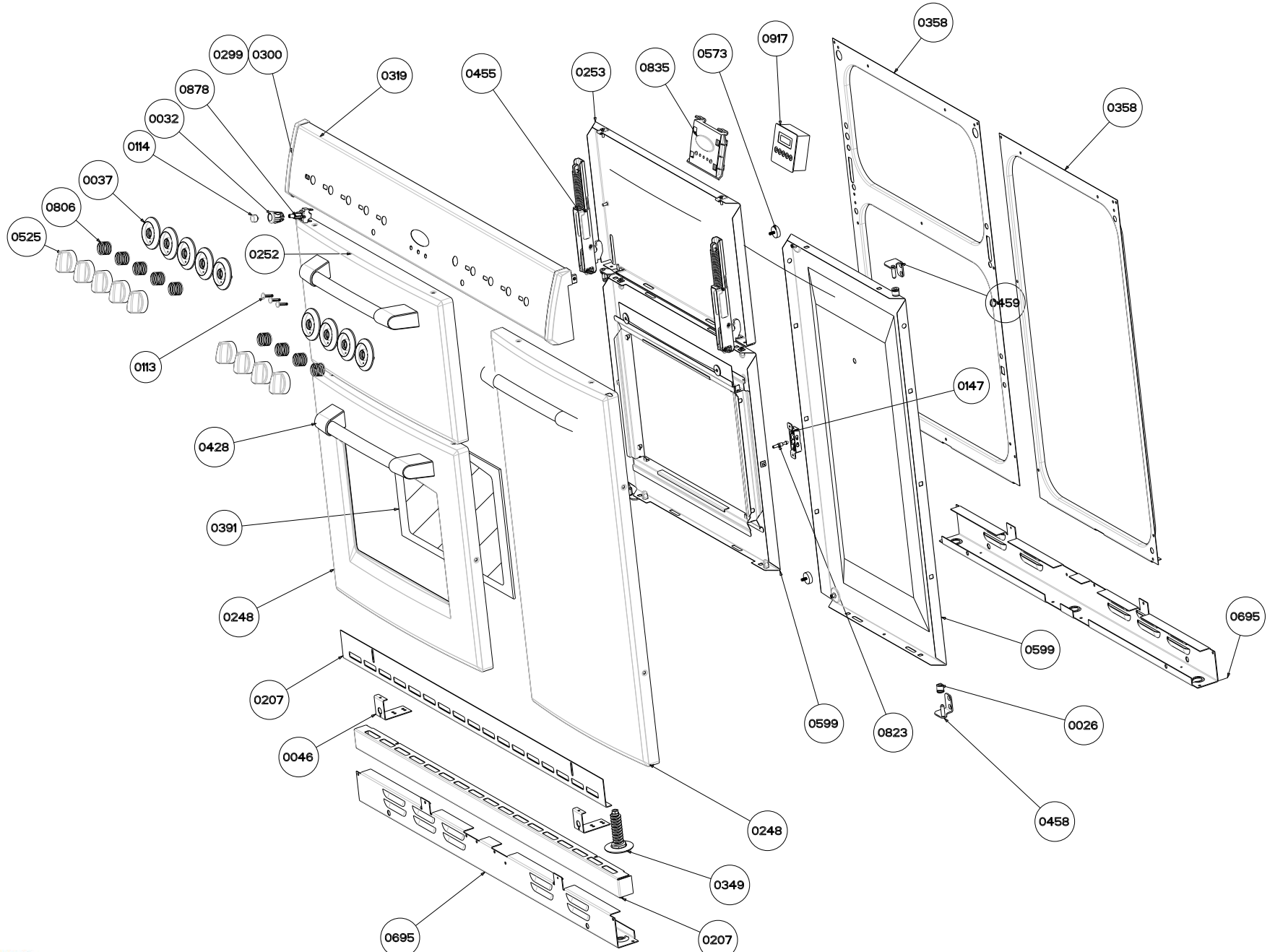
0813	501829303	STIFFENER STRUT				2
0823	082494402	STRIKER door (silver)				1
0826	502590100	SUPPORT wok				1
0827	602857800	STRIP jointing front(pristine)				1
0835	082569006	SUPPORT timer lens				1
0835	502302602	SUPPORT tap rail brkt				1
0835	082572200	HINGE COUNTER SUPPORT				2
0835	502586303	SUPPORT taprail				1
0835	602405100	SUPPORT top element				1
0876	082558101	SWITCH rotary oven42.02400.008				2
0876	082578200	SWITCH door ROLD				1
0877	082859700	SWITCH selector 7 function				1
0878	081811101	SWITCH ignition E2009				1
0880	082066200	SWITCH thermal cutout L120c				1
0880	081545403	SWITCH thermal cut-out 150c				2
0882	082808903	SWITCH thermal brown 80c				1
0887	082856502	TAP hotplate rap NG blue				1
0888	082856501	TAP hotplate sr NG red/white				2
0889	082856500	TAP hotplate aux NG red				1
0890	082856503	TAP hotplate wok NG white				1
0900	082852600	TAPRAIL 900df				1
0912	082558001	THERMOSTAT EGO 55.17069.090				2
0917	082874000	TIMER (programmer 900)				1
0922	562586710	TRIM hotplate side 1000 Bk				2
0929	502586803	TRANSOM 900				2
0930	501590200	TRAY element				1
0937	502819200	TRAY intermediate 500 elec				1
0938	502860300	TRAY intermediate				1
0945	562851909	VENT TRIM 900 Bk				1
0950	562867304	FACIA lip 90 Bk				1
0967	082518800	TRIVET grill pan				1
0977	080181053	WASHER 15.02x28.35x1.49				9
0979	082462565	WIRE black 250x120x850x250mm				1
0991	030116310	WHEEL ASSY				2

HOTPLATE



BELLING 90DF ISSUE 1 DATE 19-04-06

DOORS, FASCIA AND FRONT FRAMES



CAVITY ASSEMBLY

